

THIS DRAWING IS UNPUBLISHED. RELEASED FOR PUBLICATION
 © COPYRIGHT BY TYCO ELECTRONICS CORPORATION. ALL RIGHTS RESERVED.

LOC		DIST		REVISIONS			
P	LTR	DESCRIPTION	DATE	DWN	APVD		
	A	ECO 05 003709	23MAR06	BSV	MS		

SPECIFICATIONS:
 MAKE-BEFORE-BREAK

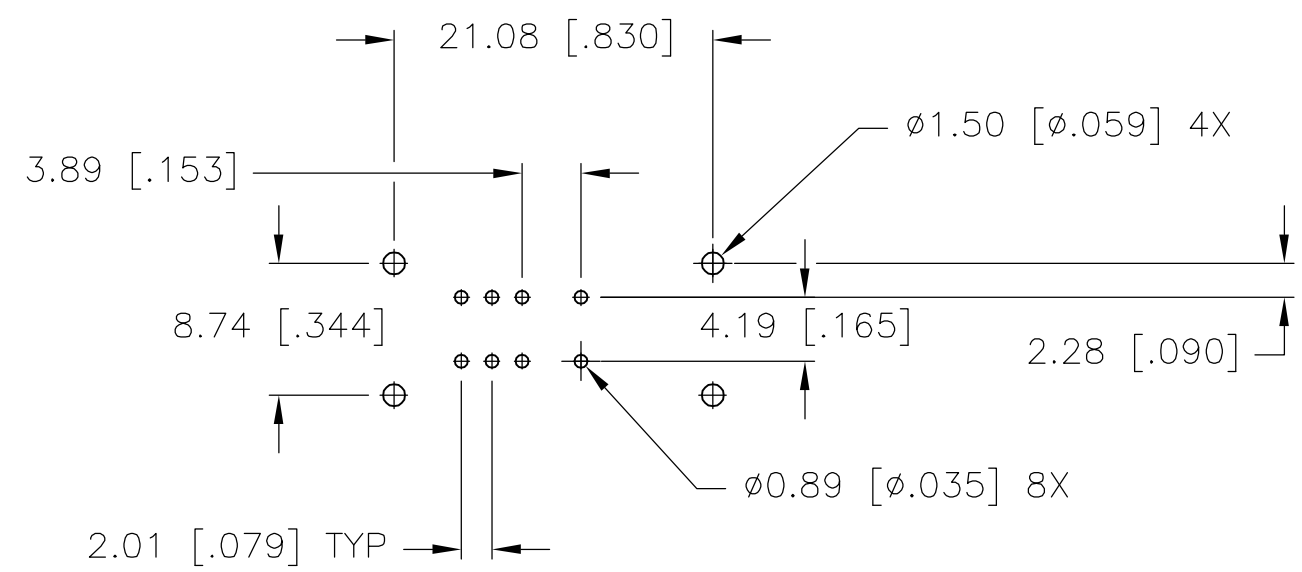
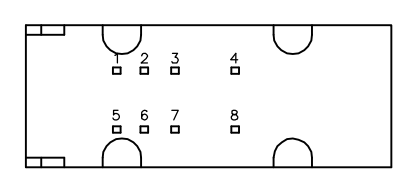
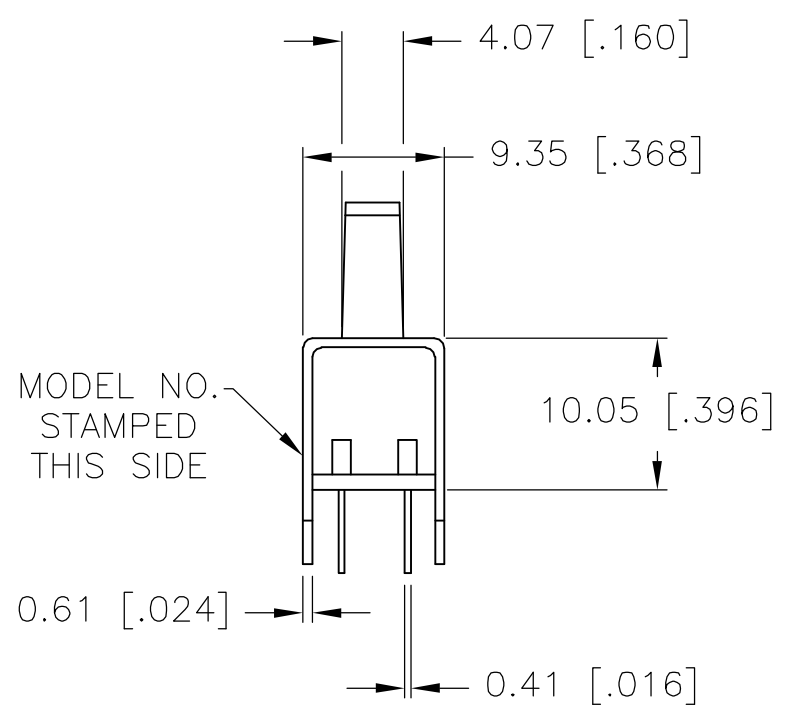
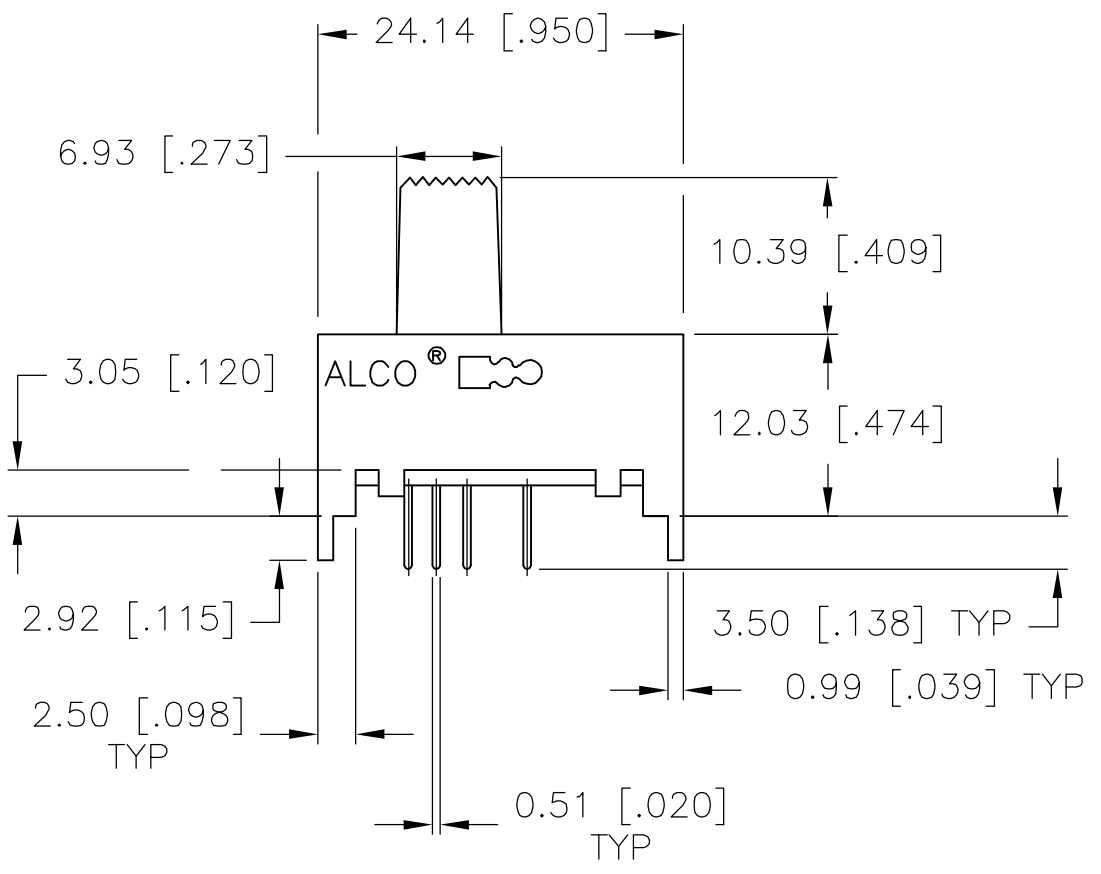
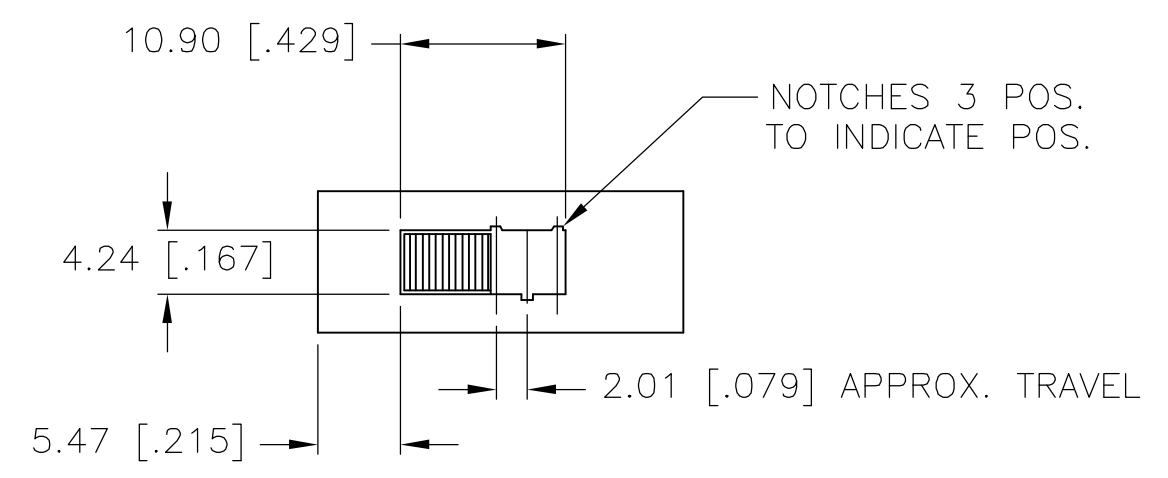
MATERIALS:
 ACTUATOR - NYLON 66 UL94V-0, BLACK
 FRAME - TIN PLATED STEEL
 TERMINAL BOARD - PHENOLIC LAMINATE UL94HB, NATURAL
 TERMINAL (SILVER) - COPPER ALLOY- SILVER OVER NICKEL PLATE
 TERMINAL (GOLD) - COPPER ALLOY- TIN OVER NICKEL PLATE
 FIXED CONTACT (SILVER) - COPPER ALLOY- SILVER OVER NICKEL PLATE
 FIXED CONTACT (GOLD) - COPPER ALLOY-GOLD OVER NICKEL PLATE
 MOVING CONTACT (SILVER) - COPPER ALLOY- SILVER OVER NICKEL PLATE
 MOVING CONTACT (GOLD) - COPPER ALLOY-GOLD OVER NICKEL PLATE
 DETENT BALL - STAINLESS STEEL
 COIL SPRING - TEMPERED STEEL WIRE
 SEAL - EPOXY

ELECTRICAL:
 CONTACT RATING - .4VA@20VDC OR PEAK AC (GOLD)
 300mA@125V AC (SILVER)
 INITIAL CONTACT RESISTANCE - 30milliohm max.
 FINAL CONTACT RESISTANCE - 100milliohm max> (AFTER TEST)
 INSULATION RESISTANCE - 1,000Megohms min."
 DIELECTRIC STRENGTH - 500V RMS@SEA LEVEL
 LIFE EXPECTANCY - 15,000 CYCLES MIN."

MECHANICAL:
 ACTUATION FORCE - 600±300 GRAMS
 TRAVEL - 2.00±0.51[.079±.020]

ENVIRONMENTAL:
 OPERATING TEMPERATURE - -20 TO +85 DEGREES C
 STORAGE TEMPERATURE - -40 TO +100 DEGREES C
 RESISTANCE TO SOLDER HEAT PER 109-202, CONDITION B
 SOLDERABILITY PER EIA- 364-52, CLASS 2, CATEGORY 1, 95% MIN COVERAGE

NOTES:
 1. ALL MATERIALS AND FINISHES SHALL COMPLY WITH EU DIRECTIVE 2002 95/EC OF 27JAN2003 (ROHS).
 2. ANTI SOLDER WICK SEAL AT TERMINAL TO BOARD INTERFACE.



RECOMMENDED HOLE LAYOUT
 TOLERANCE ±.002 UNLESS OTHERWISE NOTED

1,3&5,7	2,3&6,7	3,4&7,8	DP3T	GOLD	MSSA2350G04	1825198-2
1,3&5,7	2,3&6,7	3,4&7,8	DP3T	SILVER	MSSA235004	1825198-1
			TYPE	CONTACT PLATING	ALCO P/N	TYCO P/N
LEFT	CENTER	RIGHT				
ACTUATOR POSITION						

THIS DRAWING IS A CONTROLLED DOCUMENT.		DWN	20JUN96	tyco Electronics		Tyco Electronics Corporation	
DIMENSIONS: mm [INCHES]		TRU-D				Harrisburg, PA 17105-3608	
TOLERANCES UNLESS OTHERWISE SPECIFIED:		CHK				SLIDE SWITCH (MSSA-2350)	
0 PLC ± -		APVD				RESTRICTED TO	
1 PLC ± -		PRODUCT SPEC		SIZE	CAGE CODE	DRAWING NO	
2 PLC ± 0.25[.010]		APPLICATION SPEC		A2	00779	C=1825198	
3 PLC ± -				SCALE	SHEET	1 OF 1	REV
4 PLC ± -				2:1	1		A
ANGLES ± -				CUSTOMER DRAWING			
FINISH		WEIGHT					
SEE SPECIFICATIONS		SEE SPECIFICATIONS					